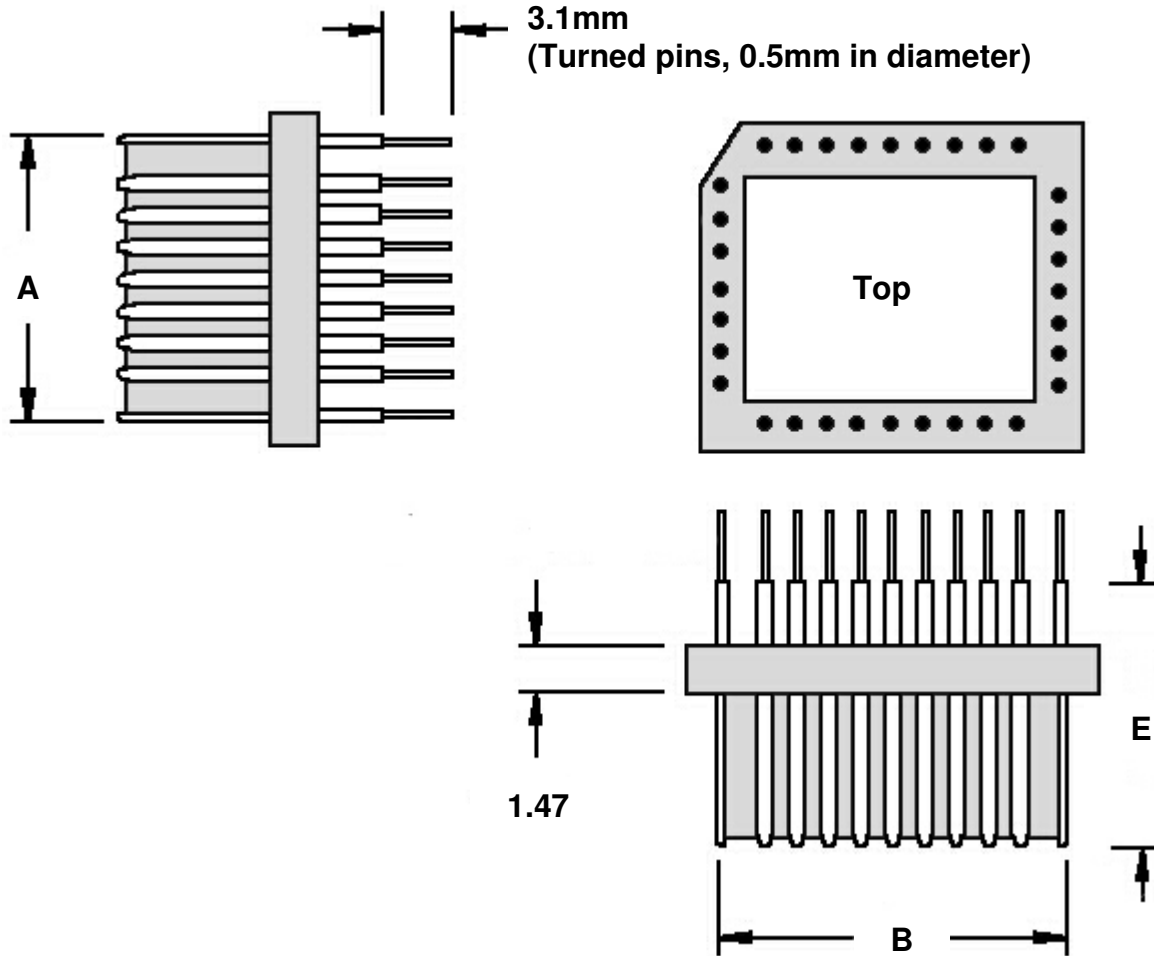


WINSLOW ADAPTICs

Through-Board Plug



Number of pins shown is for illustration only. Plugs with longer pins may use two mouldings.

Dimension Table

Part Number	PLCC Pins	A	B
W9300	20	8.7	8.7
W9301	28	11.15	11.15
W9302	32	13.6	11.02
W9303	44	16.4	16.4
W9304	52	18.9	18.9
W9305	68	23.9	23.9
W9306	84	29.5	29.5

Pin Variations

Suffix denoting Pin Length.	E
- ZC168	6.8
- ZC185	8.3
- ZC187	9.6
- ZC189	15.5
NO SUFFIX	11.7

Example: For W9300-ZC168, E has a length of 6.8mm

All dimensions in mm, and subject to change without notice