

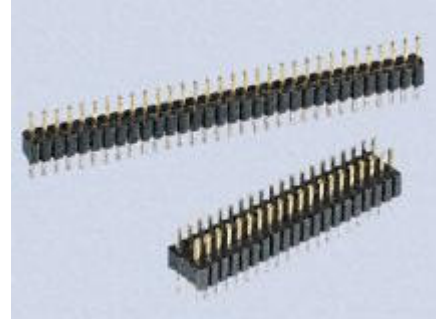
WINSLOW ADAPTICs

Data Sheet – 1.27mm Square Pin Headers

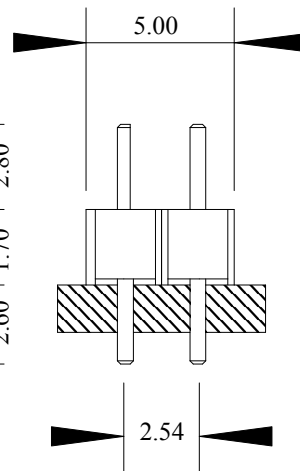
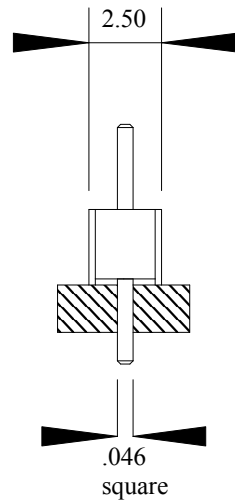
W5811(xx)SC1 Series

W5821(xx)SC1 Series

The W5811(xx)SC1 - Single Row and W5821(xx)SC1 - Dual Row Series headers use a gold plated phosphor bronze pin. Moulding material is 30% GF Nylon rated to UL 94 V-0. The (xx) in the part number relates to the number of pins required. Headers are available up to 32 pins for the single row and up to 2x50 pin for double row. Features include a serrated edge for easy cropping to desired pin length. Alternatively, pre-cut custom lengths are available.



Single Row Header
W5811 series.
Length Pitch = 1.27mm



Dual Row Header
W5821 series.
Length Pitch = 1.27mm

Specifications

Current Rating	1 Amp	Contact Material	Phosphor Bronze
Insulation Resistance	5000 Meg Ohms	Insulation Material	Nylon (UL94V-0)
Operating Temperature	-40°C to +105°C	Plating	Gold Flash over Nickel
Max Processing Temperature	230°C (30 Secs) 260°C (60 Secs)	Contact Resistance	20 m Ohms



Solutions to Component Leadtime and Obsolescence

Also available from Winslow Adaptics are cost effective, time saving solutions to test, obsolescence, supply problems and upgrades. OEMs can upgrade equipment with custom Adaptics utilising additional logic, often saving considerable cost and time on re-design. If lead-time becomes an issue contact us for a suitable package converter. We specialise in conversion of all package lead-frames. For further information please contact your nearest sales office

sales@winslowadaptics.com

www.winslowadaptics.com