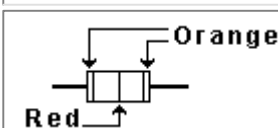
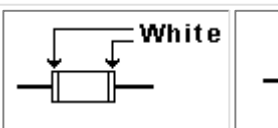
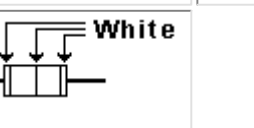
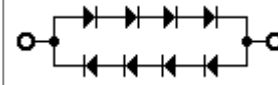
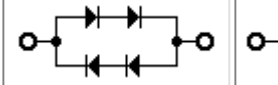
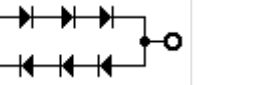


SV Symmetrical Type Silicon Varistors

Applications

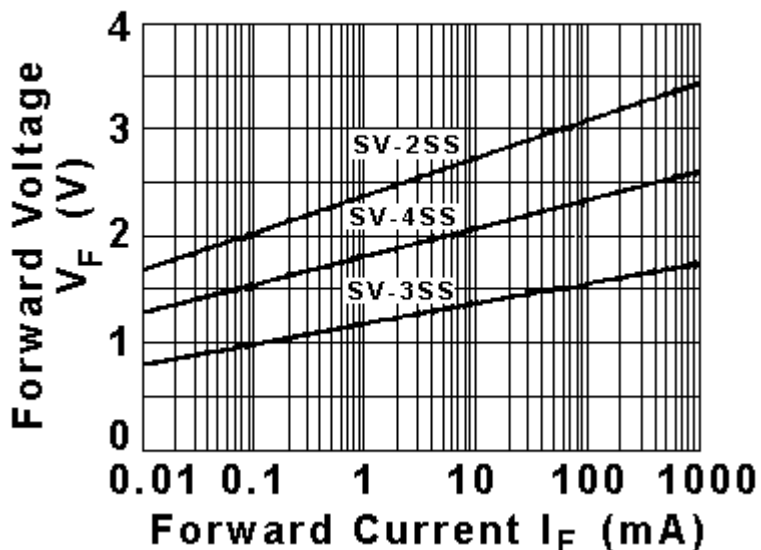
- Switchboard (specification 3491)
- Divided voltage stabilization circuit
- Signal control circuit
- Temperature detection circuit
- Zener voltage stabilization circuit
- Meter protection circuit

| Maximum Ratings $T_a = 25^\circ\text{C}$ | | | | | |
|--|------------------|--|---|--|------------------|
| Item | Symbol | SV-2SS | SV-3SS | SV-4SS | Unit |
| DC Forward Current | I_F | 150 | 250 | 150 | mA |
| Junction Temperature | T_j | -40 ~ +100 | | | $^\circ\text{C}$ |
| Storage Temperature | T_{stg} | -40 ~ +100 | | | $^\circ\text{C}$ |
| Color Indication | |  |  |  | |
| Internal Junction | |  |  |  | |

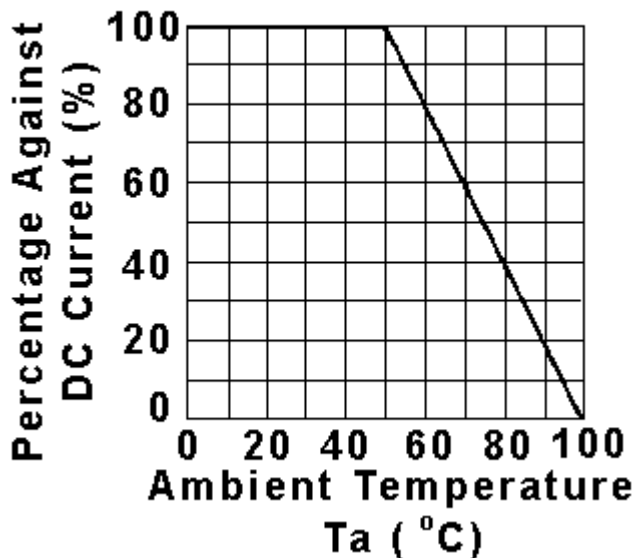
| DC Characteristics Both Directions, $T_a = 25^\circ\text{C}$ | | | | | | |
|--|--------|----------------------|--------|--------|-----------------|---------------|
| Item | Symbol | Condition | SV-2SS | SV-3SS | SV-4SS | Unit |
| Forward Voltage | V_F | $I_F = 100\text{mA}$ | 4 max | 2 max | --- | V |
| | | $I_F = 1\text{mA}$ | --- | --- | 1.80 ± 0.20 | |
| | | $I_F = 10\text{mA}$ | --- | --- | 2.15 ± 0.20 | |
| | | $I_F = 30\text{mA}$ | --- | --- | 2.40 ± 0.25 | |
| Forward Current | I_F | $V_F = 1.2\text{V}$ | 50 max | --- | --- | μA |
| | | $V_F = 0.6\text{V}$ | --- | 50 max | --- | |
| | | $V_F = 0.9\text{V}$ | --- | --- | 50 max | |

SV Symmetrical Type Silicon Varistors - (continued)

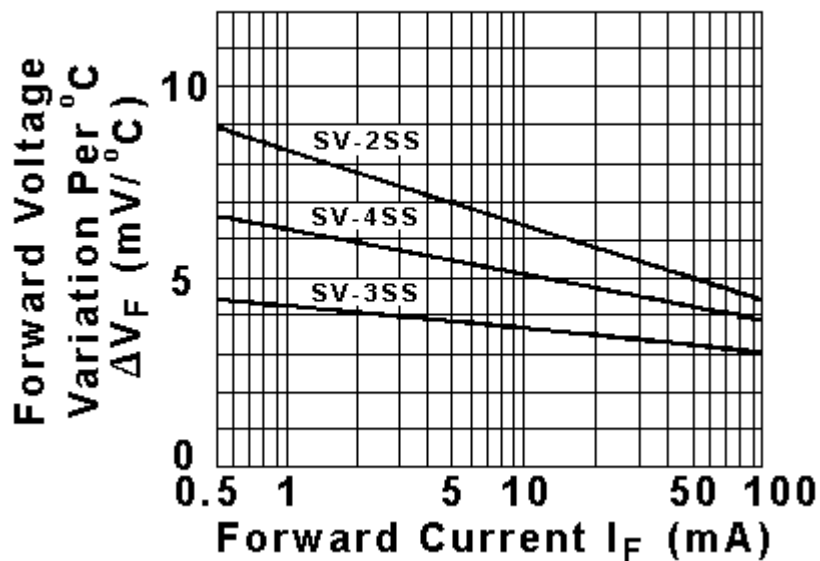
$V_F - I_F$ Characteristics



I_F (%) - T_a Characteristics



$\Delta V_F - I_F$ Characteristics



Outline Drawing Unit: mm

Resin Molded Type
 Nonflammability: UL94V-O or equivalent
 Weight: Approx. 0.3g

