

**Features**

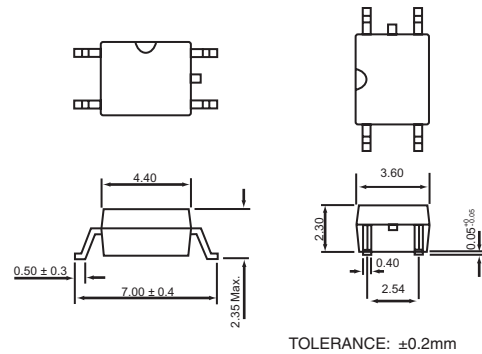
1. Opaque type, SOP package.
2. Subminiature type. Smaller than DIP type by 30%.
3. Isolation voltage between input and output (Viso: 2500Vrms).

**For 115/240 VRMS Application:**

1. Solenoid/Valve Controls.
2. Lighting Controls.
3. Static Power Switches.
4. AC Motor Drives.
5. Temperature Controls.
6. E.M. Contactors.
7. AC Motor Starters.
8. Solid State Relays.
9. Available package types: SOP(shown).

Part Numbering System: Page 2. Part Marking System: Page 4.

**Outside Dimension: Unit (mm)**



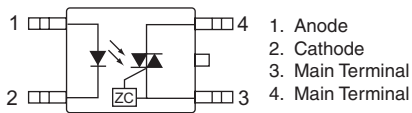
**Trigger LED Current**

Example Part Number

WPPCT - Z 10 4 4 S TRU

Options	Trigger Current(mA)
10 (Standard)	10 max.
7	7 max.
5	5 max.

**Schematic: Top View**



**Absolute Maximum Ratings**

(Ta = 25°C)

Parameter		Symbol	Rating	Unit
Input	Forward Current	IF	50	mA
	Peak Forward Current (100us)	IFM	1	A
	Reverse Voltage	VR	6	V
	Power Dissipation	PD	70	mW
Output	Off-State Output Terminal Voltage	VDRM	400	Vpeak
	On-State R.M.S. Current	IT(RMS)	70	mA
	Peak Repetitive Surge Current (PW=10ms, DC 10%)	ITSM	1	A
	Power Dissipation	PD	150	mW
Total Power Dissipation		Ptot	200	mW
Isolation Voltage 1 minute		Viso	2500	Vrms
Operating Temperature		Topr	-40 to +100	°C
Storage Temperature		Tstg	-50 to +125	°C
Solder Temperature 10 seconds		Tsol	260	°C

**Electro-optical Characteristics**

(Ta = 25°C)

Parameter		Symbol	Conditions	Min.	Typ.	Max.	Unit
Input	Forward Voltage	VF	IF = 10mA	-	1.2	1.4	V
	Peak Forward Voltage	VFM	IFM = 0.5A	-	-	3.5	V
	Reverse Leakage Current	IR	VR = 5V	-	-	10	uA
Output	Peak Blocking Current	IDRM	VDRM = 400V	-	-	1.0	uA
	On-State Voltage	VTM	ITM = 70mA	-	1.6	2.8	V
Transfer Characteristics	Holding Current	IH		-	1.0	-	mA
	Critical Rate of Rise of Off-State Voltage	dV/dt	VDRM = (1/√2) * Rated	100	-	-	V/us
	Isolation resistance	Riso	DC500V	5 x 10 <sup>10</sup>	10 <sup>11</sup>	-	ohm
	Minimum Trigger LED Current (Standard, see above table for more options)	IFT	Main Terminal Voltage = 3V	-	5	10	mA
	Inhibit Voltage (MT1-MT2 Voltage above which device will not trigger.)	VINH	IF = Rated IFT	-	5	20	V
	Leakage in Inhibited State	IDRM2	IF = Rated IFT, VT = Rated VDRM	-	-	600	uA



**Data Curves**

