



**INDUSTRIAL RELAYS**

UL & CUL File #E223388

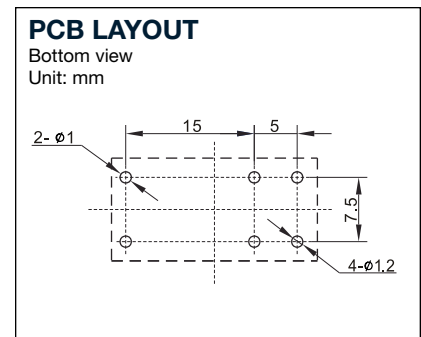
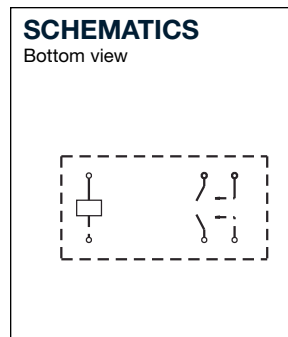
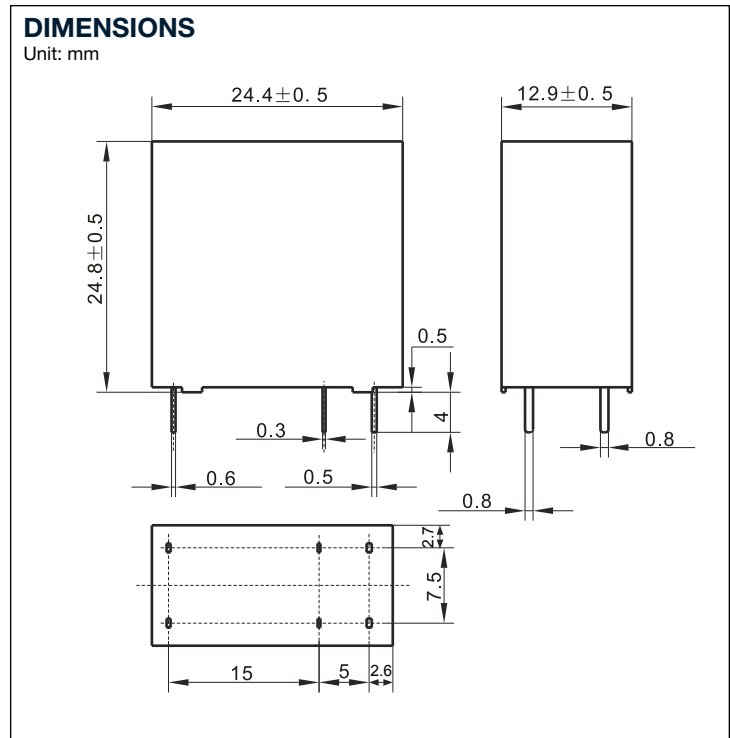
**FEATURES**

1. Small size for high density P.C. Board mounting.
2. Insulation distance of 6.0 mm designed for surge resistiveness of 5000 V.

**ORDERING INFORMATION**

**RW 2A - 12 S F**  
**(1) (2) (3) (4) (5)**

- |  |  |
|--|--|
| <b>(1) Basic Designation</b><br>RW = RW Series | <b>(3) Coil Voltage</b><br>3~48V                               |
| <b>(2) Coil Arrangement</b><br>2A = 2 Form A   | <b>(4) Enclosure</b><br>Nil = Unsealed type<br>S = Sealed type |
|  | <b>(5) Insulating System</b><br>Nil = Standard<br>F = Class F  |



**COIL RATINGS (AT 20°C)**

Coil Nominal Voltage (VDC)	Nominal Current (mA)	Coil Resistance $\Omega(\pm 10\%)$	Drop-Out Voltage (VDC) min.	Pick-Up Voltage (VDC) max.	Nominal Operating Power (W)	Max. Allowable Voltage (VDC)
3	176.47	17	10%	75%	Abt. 0.54	130% of nominal voltage
5	106.38	47				
6	88.24	68				
9	44.44	155				
12	58.06	270				
18	30.00	600				
24	21.82	1,100				
48	10.91	4,400				





**CONTACT RATINGS**

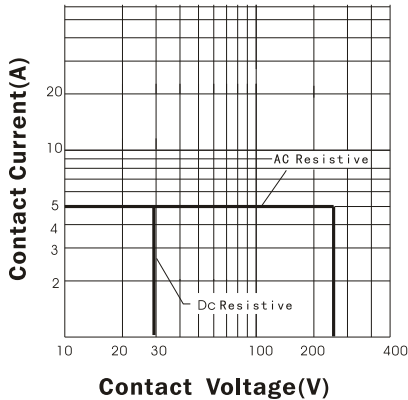
Contact Arrangement	2A
Max. Switching Power	1200VA 150W
Max. Switching Voltage	250VAC 30VDC
Max. Switching Current	5A
Contact Resistance (By voltage drop 6V 1A)	50mΩ max.
UL/ C-UL Rating	5A / 240VAC
Resistive Load (cos Ø = 1)	5A / 30VDC
Inductive Load (cos Ø = 0.75 ~ 0.8)	2A / 240VAC
Contact Material	silver alloy

**CHARACTERISTICS**

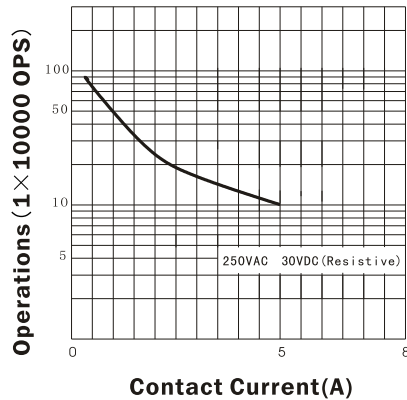
Electrical Life (at 30cpm)	1 x 10 <sup>5</sup>
Mechanical Life (at 300cpm)	1 x 10 <sup>7</sup>
Initial Insulation Resistance	1000MΩ Min. (500VDC)
Operate Time	20ms max.
Release Time	10ms max.
Initial Breakdown Voltage	50/60Hz 1000VAC 1 min. (between open contacts) 50/60Hz 3000VAC 1 min. (between coil & contact)
Vibration Resistance	Functional: 10 to 55Hz at double Amplitude of 1.5mm Destructive: 10 to 55Hz at double Amplitude of 1.5mm
Shock Resistance	Functional: Min. 10G Destructive: Min. 100G
Ambient Temperature	-30°C ~ +85°C
Operating Humidity	45 to 85% RH
Unit Weight	Approx. 13 g

**REFERENCE DATA**

**MAXIMUM SWITCHING POWER**



**LIFE CURVE**



**COIL TEMPERATURE RISE**

