

# DATA SHEET

SURFACE MOUNT MULTILAYER  
CERAMIC CAPACITORS

General purpose & High capacitance

Class 2, X5R

4 V TO 50 V

100 pF to 100  $\mu$ F

RoHS compliant & Halogen free



**SCOPE**

This specification describes X5R series chip capacitors with lead-free terminations.

**APPLICATIONS**

PCs, Hard disk, Game PCs  
Power supplies  
DVD players  
Mobile phones  
Data processing

**FEATURES**

Supplied in tape on reel  
Nickel-barrier end termination  
RoHS compliant  
Halogen free compliant

**ORDERING INFORMATION – GLOBAL PART NUMBER, PHYCOMP CTC & 12NC**

All part numbers are identified by the series, size, tolerance, TC material, packing style, voltage, process code, termination and capacitance value.

**YAGEO BRAND ordering code**

**GLOBAL PART NUMBER (PREFERRED)**

**CC** XXXX X X **X5R** X **BB** XXX  
(1) (2) (3) (4) (5)

**(1) SIZE – INCH BASED (METRIC)**

- 0201 (0603)
- 0402 (1005)
- 0603 (1608)
- 0805 (2012)
- 1206 (3216)
- 1210 (3225)
- 1812 (4532)

**(2) TOLERANCE**

- K = ±10%
- M = ±20%

**(3) PACKING STYLE**

- R = Paper/PE taping reel; Reel 7 inch
- K = Blister taping reel; Reel 7 inch
- P = Paper/PE taping reel; Reel 13 inch
- F = Blister taping reel; Reel 13 inch
- C = Bulk case

**(4) RATED VOLTAGE**

- 4 = 4 V
- 5 = 6.3 V
- 6 = 10 V
- 7 = 16 V
- 8 = 25 V
- 9 = 50 V

**(5) CAPACITANCE VALUE**

2 significant digits+number of zeros  
The 3rd digit signifies the multiplying factor, and letter R is decimal point  
Example: 103 = 10 × 10<sup>3</sup> = 10,000 pF = 10 nF

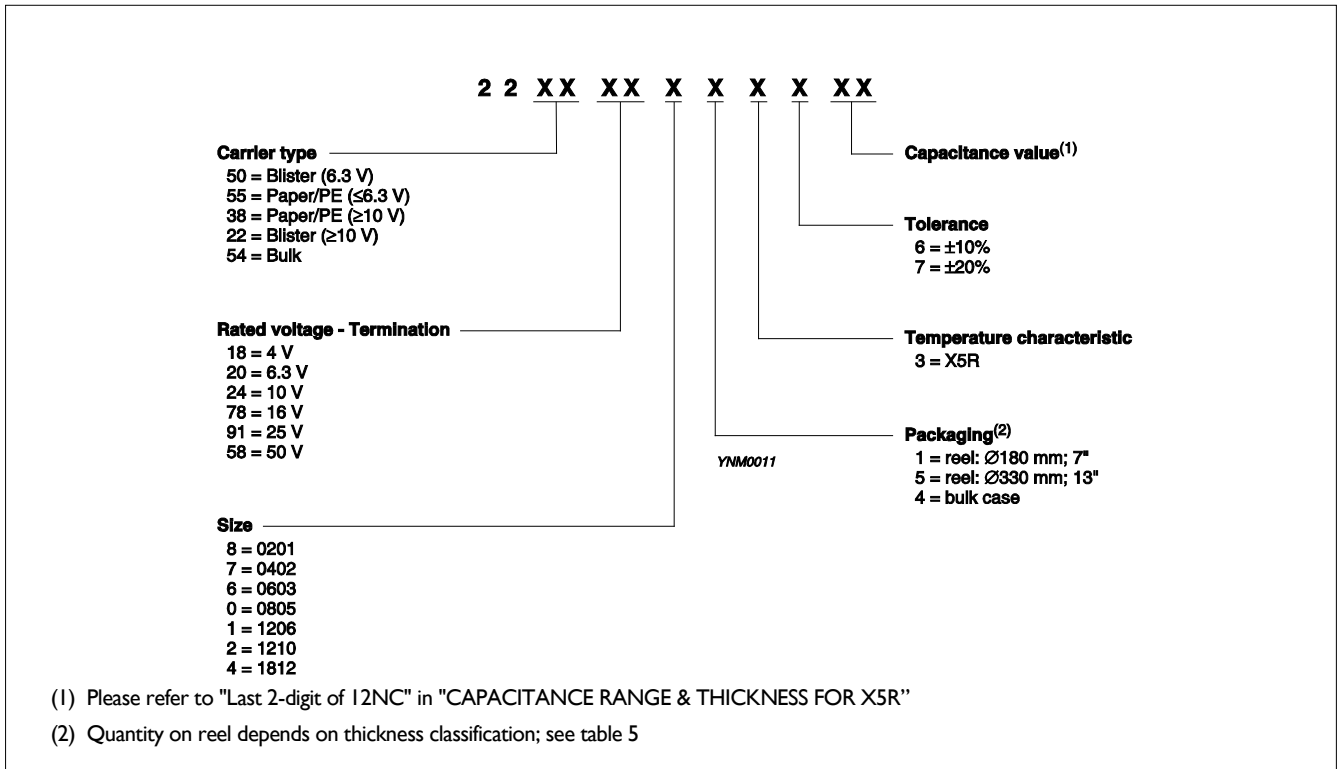
**PHYCOMP BRAND ordering codes**

GLOBAL PART NUMBER (preferred), PHYCOMP CTC (for North America) and I2NC (traditional) codes are acceptable to order Phycomp brand products.

**GLOBAL PART NUMBER (PREFERRED)**

For detailed information of GLOBAL PART NUMBER and ordering example, please refer to page 2.

**I2NC CODE**



**PHYCOMP CTC CODE (FOR NORTH AMERICA)**

Example: 06032B225M5B20D

0603	2B	225	M	5	B	2	0	D
Size code	Temp. Char.	Capacitance in pF	Tolerance	Voltage	Termination	Packing	Marking	Range identifier
0201	2B = X5R	101 = 100 pF; the third digit signifies the multiplying factor:	K = $\pm 10\%$ M = $\pm 20\%$	4 = 4 V	B = NiSn	2 = 180 mm	0 = no marking	D = Class 2 MLCC
0402				5 = 6.3 V		7" Paper/PE		
0603				6 = 10 V		3 = 330 mm		
0805				7 = 16 V		13" Paper/PE		
1206				8 = 25 V		B = 180 mm		
1210				9 = 50 V		7" Blister		
1812						F = 330 mm		
		3 = $\times 1,000$		13" Blister				
		4 = $\times 10,000$		P = Bulk case				
		5 = $\times 100,000$						
		6 = $\times 1,000,000$						
		7 = $\times 10,000,000$						

**CONSTRUCTION**

The capacitor consists of a rectangular block of ceramic dielectric in which a number of interleaved metal electrodes are contained. This structure gives rise to a high capacitance per unit volume.

The inner electrodes are connected to the two end terminations and finally covered with a layer of plated tin (NiSn). The terminations are lead-free. A cross section of the structure is shown in Fig.1.

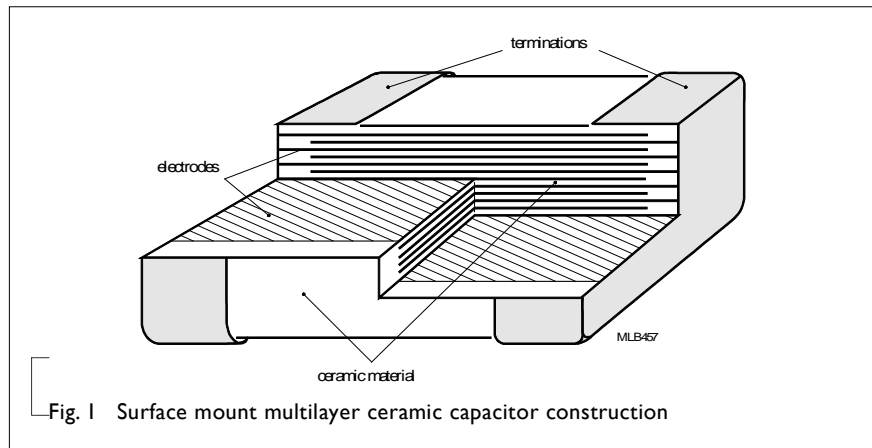


Fig.1 Surface mount multilayer ceramic capacitor construction

**DIMENSION**

Table I For outlines see fig. 2

TYPE	L <sub>1</sub> (mm)	W (mm)	T (MM)	L <sub>2</sub> / L <sub>3</sub> (mm)		L <sub>4</sub> (mm)
				min.	max.	min.
0201	0.6 ±0.03 <sup>(1)</sup>	0.3 ±0.03 <sup>(1)</sup>	Refer to table 2 to 4	0.10	0.20	0.20
	0.6 ±0.05 <sup>(2)</sup>	0.3 ±0.05 <sup>(2)</sup>				
0402	1.0 ±0.05 <sup>(1)</sup>	0.5 ±0.05 <sup>(1)</sup>		0.20	0.30	0.40
	1.0 ±0.20 <sup>(3)</sup>	0.5 ±0.20 <sup>(3)</sup>				
0603	1.6 ±0.10 <sup>(1)</sup>	0.8 ±0.10 <sup>(1)</sup>		0.20	0.60	0.40
	1.6 ±0.15 <sup>(2)</sup>	0.8 ±0.15 <sup>(2)</sup>				
0805	1.6 ±0.20 <sup>(3)</sup>	0.8 ±0.20 <sup>(3)</sup>		0.25	0.75	0.55
	2.0 ±0.10 <sup>(1)</sup>	1.25 ±0.10 <sup>(1)</sup>				
1206	2.0 ±0.20 <sup>(2)</sup>	1.25 ±0.20 <sup>(2)</sup>		0.25	0.75	1.40
	3.2 ±0.15 <sup>(1)</sup>	1.6 ±0.15 <sup>(1)</sup>				
1210	3.2 ±0.30 <sup>(2)</sup>	1.6 ±0.20 <sup>(2)</sup>		0.25	0.75	1.40
	3.2 ±0.30 <sup>(3)</sup>	1.6 ±0.30 <sup>(3)</sup>				
1812	3.2 ±0.20 <sup>(1)</sup>	2.5 ±0.20 <sup>(1)</sup>	0.25	0.75	2.20	
	3.2 ±0.40 <sup>(2)</sup>	2.5 ±0.30 <sup>(2)</sup>				
	4.5 ±0.20 <sup>(1)</sup>	3.2 ±0.20 <sup>(1)</sup>				
	4.5 ±0.40 <sup>(2)</sup>	3.2 ±0.40 <sup>(2)</sup>				

**OUTLINES**

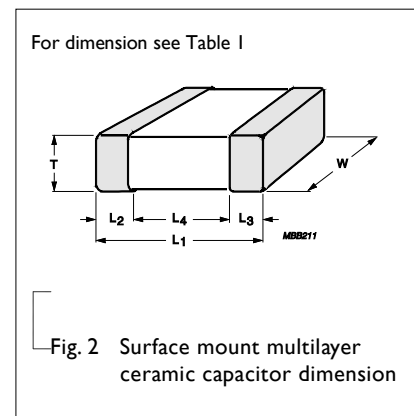


Fig.2 Surface mount multilayer ceramic capacitor dimension

**NOTE**

- Dimensions for size 0201, C < 1 µF; 0402, C < 4.7 µF; 0603, C < 4.7 µF; 0805 to 1812, C ≤ 100nF
- Dimensions for size 0201, C ≥ 100 nF (25V), C ≥ 1 µF; 0402, C ≥ 4.7µF, C=2.2µF (16V); 0603, 10µF (6.3V) ≥ C ≥ 4.7µF, C ≥ 2.2µF (25V); 0805 to 1812, C > 100 nF
- Dimensions for size 0402, C ≥ 10 µF; 0603, C ≥ 10µF (≥10V), C=22µF(6.3V); 1206, C ≥ 22µF (25V), C ≥ 100µF

**CAPACITANCE RANGE & THICKNESS FOR X5R**

Table 2 Sizes from 0201 to 0402

CAP.	Last 2-digit of 12NC	0201					0402						
		4 V	6.3 V	10 V	16 V	25 V	50 V	4 V	6.3 V	10 V	16 V	25 V	50 V
100 pF	09												
150 pF	12												
220 pF	14												
330 pF	16						0.3±0.03						
470 pF	18												
680 pF	21												
1.0 nF	23					0.3±0.03							
1.5 nF	25												
2.2 nF	27												
3.3 nF	29	0.3±0.03	0.3±0.03	0.3±0.03									
4.7 nF	32												
6.8 nF	34												
10 nF	36												
15 nF	39												
22 nF	41												
33 nF	43												
47 nF	45												
68 nF	47										0.5±0.05	0.5±0.05	0.5±0.05
100 nF	49					0.3±0.05							
150 nF	52												
220 nF	54	0.3±0.03	0.3±0.03	0.3±0.03				0.5±0.05	0.5±0.05				
330 nF	56												
470 nF	58	0.3±0.03	0.3±0.03								0.5±0.05	0.5±0.05	0.5±0.05
680 nF	61												
1.0 µF	63	0.3±0.05	0.3±0.05								0.5±0.05	0.5±0.05	
2.2 µF	67										0.5±0.15		
4.7 µF	72							0.5±0.15	0.5±0.15	0.5±0.15			
10 µF	76							0.5±0.20	0.5±0.20				

**NOTE**

1. Values in shaded cells indicate thickness class in mm
2. Capacitance value of non E-6 series is available on request

**CAPACITANCE RANGE & THICKNESS FOR X5R**

Table 3 Sizes from 0603 to 0805

CAP.	Last 2-digit of 12NC	0603					0805				
		6.3 V	10 V	16 V	25 V	50V	6.3 V	10 V	16 V	25 V	50V
10 nF	36										
15 nF	38										
22 nF	41										
33 nF	43										
47nF	45										
68 nF	47										
100 nF	49										
150 nF	52										
220 nF	54										
330 nF	56										
470 nF	58				0.8±0.1	0.8±0.1	0.8±0.1				
680 nF	61	0.8±0.1	0.8±0.1							0.85±0.1	1.25±0.2
1.0 µF	63						0.85±0.1	0.85±0.1	1.25±0.2	1.25±0.2	1.25±0.2
2.2 µF	67						1.25±0.2	1.25±0.2		0.85±0.1	1.25±0.2
4.7 µF	72				0.8±0.15	0.8±0.15					
10 µF	76	0.8±0.15		0.8±0.2	0.8±0.20				1.25±0.2	1.25±0.2	
22 µF	81	0.8±0.2	0.8±0.2					1.25±0.2			
47 µF	85						1.25±0.2				
100 µF	89										

**NOTE**

1. Values in shaded cells indicate thickness class in mm
2. Capacitance value of non E-6 series is available on request

Table 4 Sizes from 1206 to 1812

CAP.	Last 2-digit of 12NC	1206					1210					1812	
		6.3 V	10 V	16 V	25 V	50V	6.3 V	10 V	16 V	25 V	50V	6.3 V	
10 nF	36												
15 nF	38												
22 nF	41												
33 nF	43												
47nF	45												
68 nF	47												
100 nF	49												
150 nF	52												
220 nF	54												
330 nF	56												
470 nF	58												
680 nF	61												
1.0 μF	63						1.25±0.2	1.25±0.2	1.25±0.2	1.25±0.2	1.25±0.2		
2.2 μF	67	1.15±0.1	1.15±0.1	1.15±0.1	1.15±0.1	1.6±0.2					1.9±0.2		
4.7 μF	72				1.6±0.2		1.9±0.2	1.9±0.2	1.9±0.2	1.9±0.2	2.5±0.2		
10 μF	76			1.6±0.2		1.6±0.3							
22 μF	81	1.6±0.2	1.6±0.2		1.6±0.3					2.5±0.3			
47 μF	85						2.5±0.2	2.5±0.2	2.5±0.2			2.5±0.2	
100 μF	89	1.6±0.3					2.5±0.3	2.5±0.3	2.5±0.3			3.2±0.3	

**NOTE**

1. Values in shaded cells indicate thickness class in mm
2. Capacitance value of non E-6 series is available on request

**THICKNESS CLASSES AND PACKING QUANTITY**

Table 5

SIZE CODE	THICKNESS CLASSIFICATION	TAPE WIDTH QUANTITY PER REEL	Ø180 MM / 7 INCH		Ø330 MM / 13 INCH		QUANTITY PER BULK CASE
			Paper	Blister	Paper	Blister	
0201	0.3 ±0.03 mm	8 mm	15,000	---	50,000	---	---
0402	0.5 ±0.05 mm	8 mm	10,000	---	50,000	---	50,000
0603	0.8 ±0.1 mm	8 mm	4,000	---	15,000	---	15,000
0805	0.6 ±0.1 mm	8 mm	4,000	---	20,000	---	10,000
	0.85 ±0.1 mm	8 mm	4,000	---	15,000	---	8,000
	1.25 ±0.2 mm	8 mm	---	3,000	---	10,000	5,000
1206	0.6 ±0.1 mm	8 mm	4,000	---	20,000	---	---
	0.85 ±0.1 mm	8 mm	4,000	---	15,000	---	---
	1.00 / 1.15 ±0.1 mm	8 mm	---	3,000	---	10,000	---
	1.25 ±0.2 mm	8 mm	---	3,000	---	10,000	---
	1.6 ±0.15 mm	8 mm	---	2,500	---	10,000	---
	1.6 ±0.2 mm	8 mm	---	2,000	---	8,000	---
1210	0.6 / 0.7 ±0.1 mm	8 mm	---	4,000	---	15,000	---
	0.85 ±0.1 mm	8 mm	---	4,000	---	10,000	---
	1.15 ±0.1 mm	8 mm	---	3,000	---	10,000	---
	1.15 ±0.15 mm	8 mm	---	3,000	---	10,000	---
	1.25 ±0.2 mm	8 mm	---	3,000	---	---	---
	1.5 ±0.1 mm	8 mm	---	2,000	---	---	---
	1.6 / 1.9 ±0.2 mm	8 mm	---	2,000	---	---	---
	2.0 ±0.2 mm	8 mm	---	2,000 1,000	---	---	---
1808	1.15 ±0.15 mm	12 mm	---	3,000	---	---	---
	1.25 ±0.2 mm	12 mm	---	3,000	---	---	---
	1.35 ±0.15 mm	12 mm	---	2,000	---	---	---
	1.5 ±0.1 mm	12 mm	---	2,000	---	---	---
	1.6 ±0.2 mm	12 mm	---	2,000	---	---	---
	2.0 ±0.2 mm	12 mm	---	2,000	---	---	---
1812	0.6 / 0.85 ±0.1 mm	12 mm	---	2,000	---	---	---
	1.15 ±0.1 mm	12 mm	---	1,000	---	---	---
	1.25 ±0.2 mm	12 mm	---	1,000	---	---	---
	1.5 ±0.1 mm	12 mm	---	1,000	---	---	---
	1.6 ±0.2 mm	12 mm	---	1,000	---	---	---
	2.0 ±0.2 mm	12 mm	---	1,000	---	---	---
	2.5 ±0.2 mm	12 mm	---	500	---	---	---



ELECTRICAL CHARACTERISTICS

**X5R DIELECTRIC CAPACITORS; NISN TERMINATIONS**

Unless otherwise specified, all tests and measurements shall be made under standard atmospheric conditions for testing as given in 5.3 of IEC 60068-1:

- Temperature: 15 °C to 35 °C
- Relative humidity: 25% to 75%
- Air pressure: 86 kPa to 106 kPa

Before the measurements are made, the capacitor shall be stored at the measuring temperature for a time sufficient to allow the entire capacitor to reach this temperature.

The period as prescribed for recovery at the end of a test is normally sufficient for this purpose.

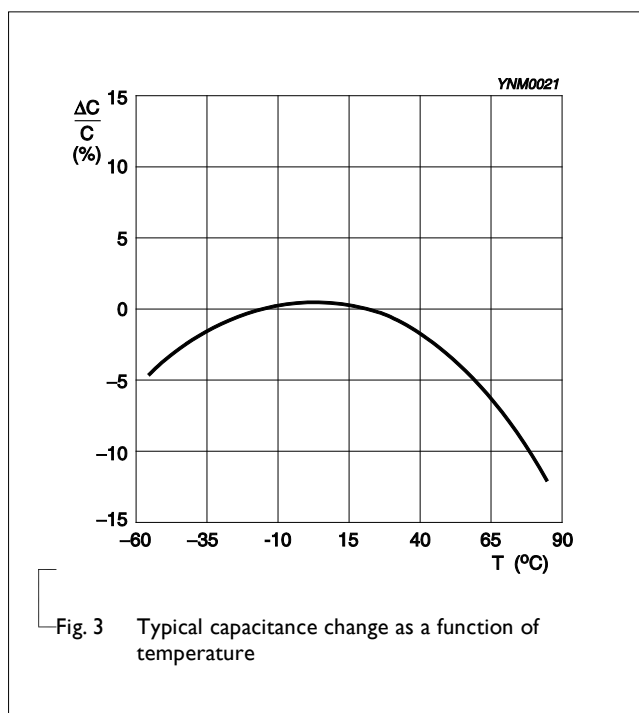
Table 6

DESCRIPTION	VALUE
Capacitance range	10 nF to 100 µF
Capacitance tolerance	±10% and ±20%
Dissipation factor (D.F.)	
6.3 V	≤ 5%
Exception:	0402 ≥ 180 nF; 1210 ≥ 22 µF
	≤ 7%
	0201 ≥ 12 nF; 0402 ≥ 330 nF; 0603 ≥ 2.2 µF;
	≤ 10%
	0805 ≥ 1 µF; 1206 ≥ 22 µF; 1210 ≥ 47 µF
	≤ 15%
	1206 ≥ 100 µF
10 V	≤ 5%
Exception:	0402 ≥ 180 nF; 0805 ≥ 1 µF; 1206 ≥ 6.8 µF
	≤ 7%
	0201 ≥ 12 nF; 0402 ≥ 330 nF; 0603 ≥ 1 µF;
	≤ 10%
	0805 ≥ 2.2 µF; 1206 ≥ 10 µF; 1210 ≥ 10 µF
16 V	≤ 5%
Exception:	0402 ≥ 180 nF; 0603 ≥ 680 nF; 0805 ≥ 1 µF
	≤ 7%
	0201 ≥ 100 nF; 0402 ≥ 330 nF; 0603 ≥ 2.2 µF;
	≤ 10%
	0805 ≥ 4.7 µF; 1206 ≥ 10 µF; 1210 ≥ 10 µF
25 V	≤ 3.5%
Exception:	0402 ≥ 27 nF; 0603 ≥ 220 nF; 0805 ≥ 2.2 µF;
	≤ 5%
	1206 ≥ 4.7 µF; 1210 ≥ 10 µF
	≤ 7%
	0402 ≥ 180 nF
	≤ 10%
	0402 ≥ 470 nF; 0603 ≥ 2.2µF; 0805 ≥ 4.7 µF;
	≤ 10%
	1206 ≥ 10 µF; 1210 ≥ 22µF
50V	≤ 3.5%
Exception:	0402 ≥ 27nF;
	≤ 5%
	0402 ≥ 180nF;
	≤ 7%
	0402=470nF; 0603 ≥ 220nF; 0805 ≥ 470nF;
	≤ 10%
	1206 ≥ 1µF; 1210 ≥ 1µF

**DESCRIPTION**

**VALUE**

	$R_{ins} \geq 10 \text{ G}\Omega$ or $R_{ins} \times C_r \geq 500$ (100/50) seconds whichever is less
Insulation resistance after 1 minute at $U_r$ (DC)	$R_{ins} \times C_r \geq 100$ (50) seconds: 0201 $\geq 100\text{nF}$ , 0402 $\geq 1\mu\text{F}$ , 0603 $\geq 1\mu\text{F}$ , 0805 $\geq 10\mu\text{F}$ , 1206 $\geq 10\mu\text{F}$ , 1210 $\geq 10\mu\text{F}$ , 1812 $\geq 47\mu\text{F}$
Maximum capacitance change as a function of temperature (temperature characteristic/coefficient):	$\pm 15\%$
Operating temperature range:	$-55 \text{ }^\circ\text{C}$ to $+85 \text{ }^\circ\text{C}$



Size 0201 10 nF / 16 V  
Solid lines: Impedance / Dotted lines: ESR

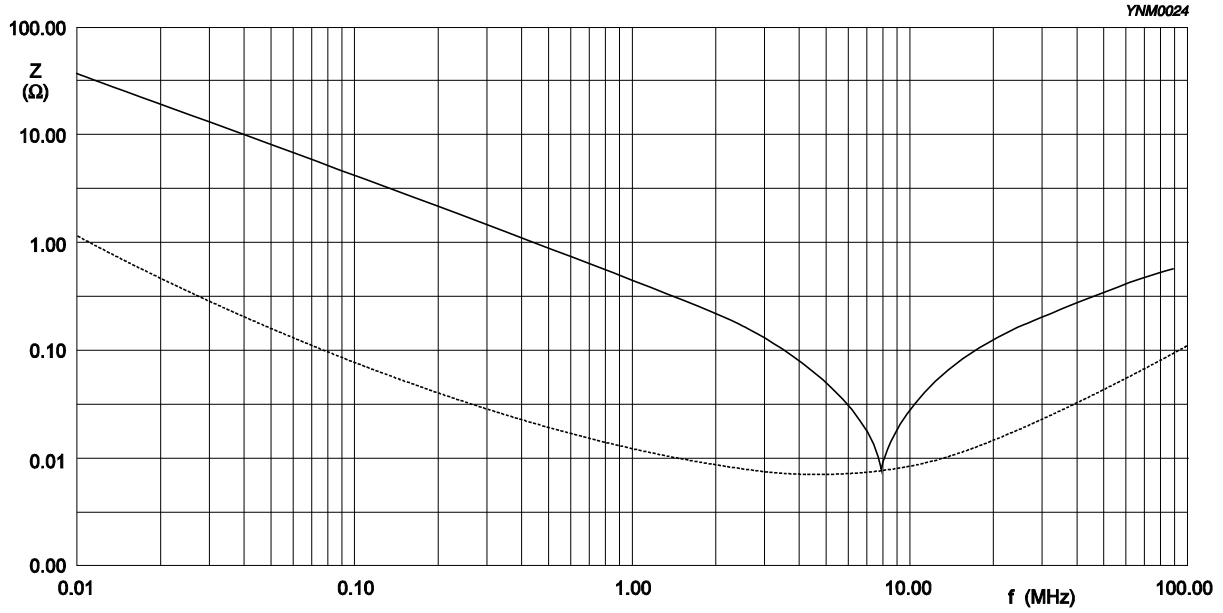


Fig. 4 Impedance ESR vs. frequency characteristics for multilayer chip capacitors

Size 0603 1 μF / 10 V  
Solid lines: Impedance / Dotted lines: ESR

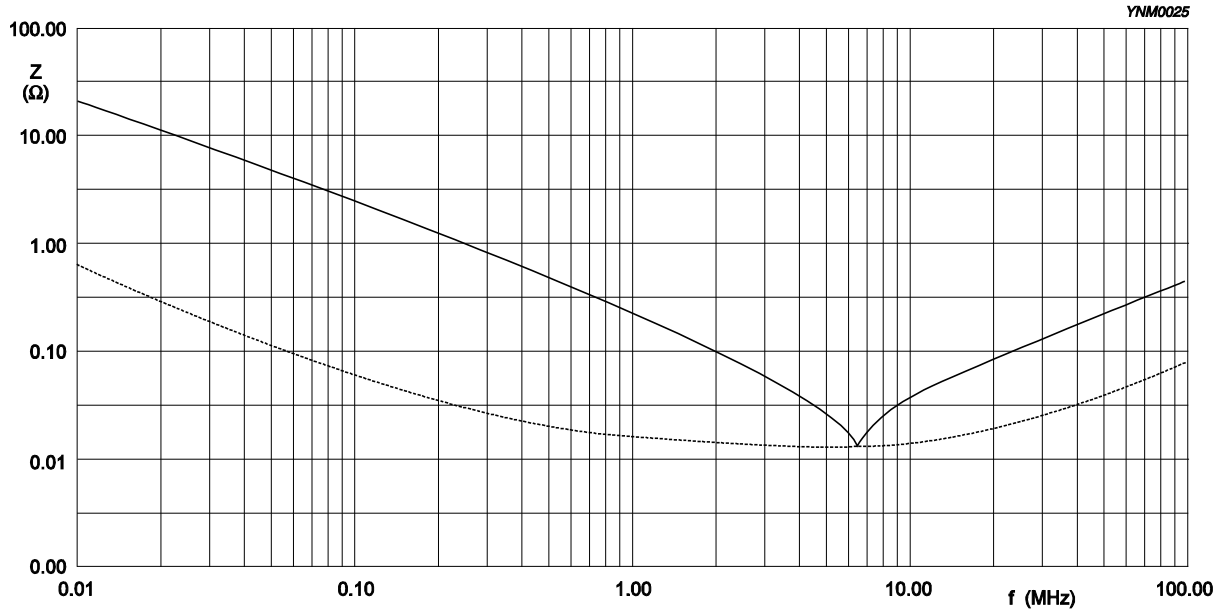


Fig. 5 Impedance ESR vs. frequency characteristics for multilayer chip capacitors

Size 0805 10  $\mu$ F / 6.3 V  
Solid lines: Impedance / Dotted lines: ESR

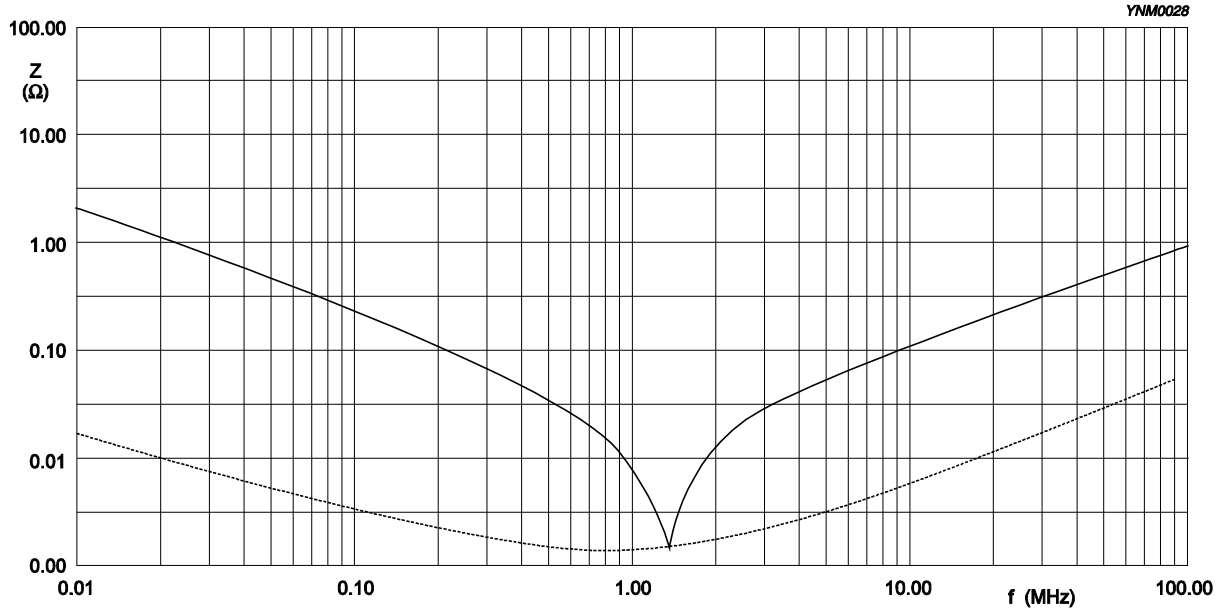


Fig. 6 Impedance ESR vs. frequency characteristics for multilayer chip capacitors

Size 1206 10  $\mu$ F / 16 V  
Solid lines: Impedance / Dotted lines: ESR

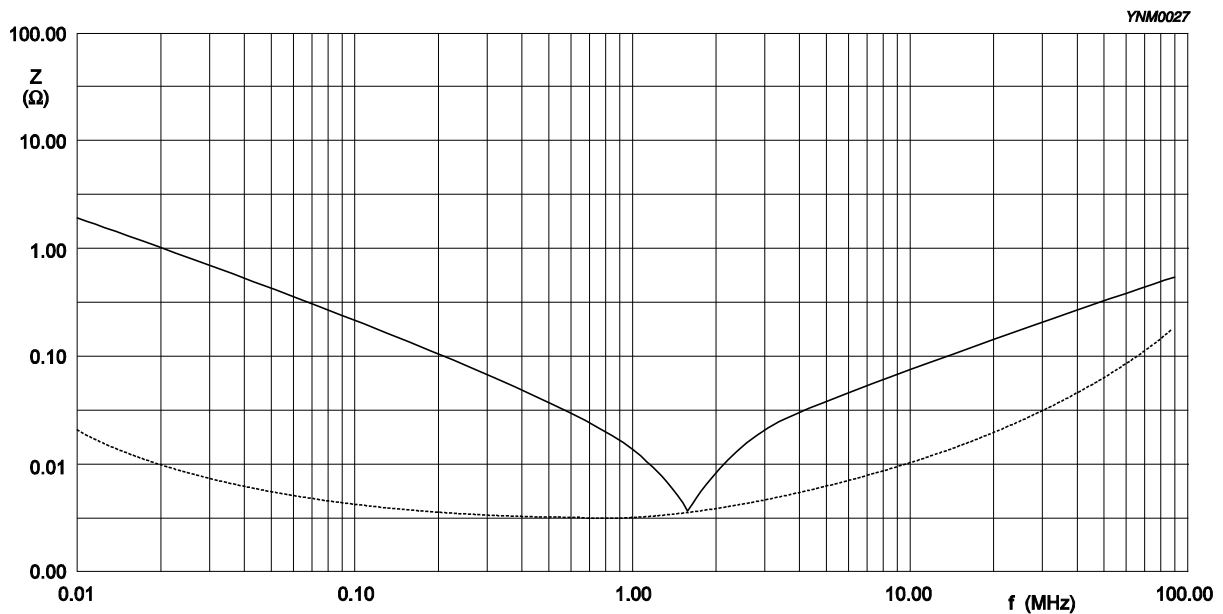


Fig. 7 Impedance ESR vs. frequency characteristics for multilayer chip capacitors

YNM0028

Size 1210 10  $\mu$ F / 25 V

Solid lines: Impedance / Dotted lines: ESR

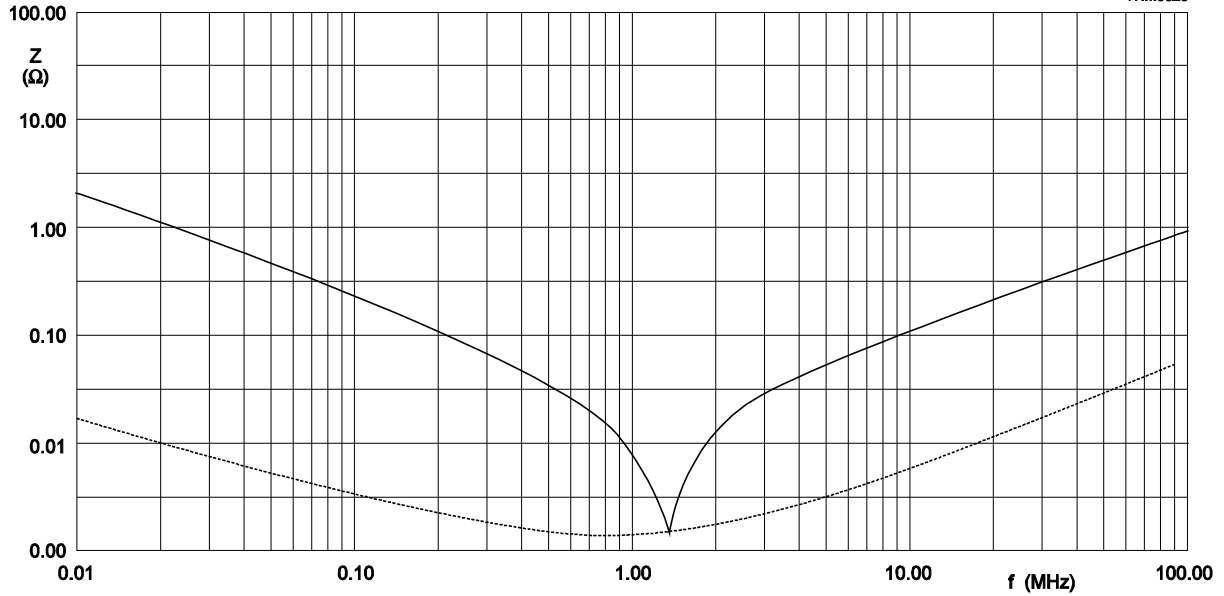


Fig. 8 Impedance ESR vs. frequency characteristics for multilayer chip capacitors

**SOLDERING RECOMMENDATION**

Table 7

SOLDERING METHOD	SIZE				
	0402	0603	0805	1206	$\geq$ 1210
Reflow	$\geq$ 0.1 $\mu$ F	$\geq$ 1.0 $\mu$ F	$\geq$ 2.2 $\mu$ F	$\geq$ 4.7 $\mu$ F	Reflow only
Reflow/Wave	< 0.1 $\mu$ F	< 1.0 $\mu$ F	< 2.2 $\mu$ F	< 4.7 $\mu$ F	---

**TESTS AND REQUIREMENTS**

Table 8 Test procedures and requirements

TEST	TEST METHOD	PROCEDURE	REQUIREMENTS
Mounting	IEC 60384-21/22	4.3 The capacitors may be mounted on printed-circuit boards or ceramic substrates	No visible damage
Visual Inspection and Dimension Check	4.4	Any applicable method using $\times 10$ magnification	In accordance with specification
Capacitance <sup>(1)</sup>	4.5.1	Class 2: At 20 °C, 24 hrs after annealing f = 1 KHz for C ≤ 10 μF, rated voltage > 6.3 V, measuring at voltage 1 V <sub>rms</sub> at 20 °C f = 1 KHz, for C ≤ 10 μF, rated voltage ≤ 6.3 V, measuring at voltage 0.5 V <sub>rms</sub> at 20 °C f = 120 Hz for C > 10 μF, measuring at voltage 0.5 V <sub>rms</sub> at 20 °C	Within specified tolerance
Dissipation Factor (D.F.) <sup>(1)</sup>	4.5.2	Class 2: At 20 °C, 24 hrs after annealing f = 1 KHz for C ≤ 10 μF, rated voltage > 6.3 V, measuring at voltage 1 V <sub>rms</sub> at 20 °C f = 1 KHz, for C ≤ 10 μF, rated voltage ≤ 6.3 V, measuring at voltage 0.5 V <sub>rms</sub> at 20 °C f = 120 Hz for C > 10 μF, measuring at voltage 0.5 V <sub>rms</sub> at 20 °C	In accordance with specification
Insulation Resistance	4.5.3	At U <sub>r</sub> (DC) for 1 minute	In accordance with specification

**NOTE**

1. The figure indicates typical inspection. Please refer to individual specifications.

TEST	TEST METHOD	PROCEDURE	REQUIREMENTS												
Temperature Characteristic	4.6	<p>Capacitance shall be measured by the steps shown in the following table.</p> <p>The capacitance change should be measured after 5 min at each specified temperature stage.</p> <table border="1" style="margin-left: 20px;"> <thead> <tr> <th>Step</th> <th>Temperature(°C)</th> </tr> </thead> <tbody> <tr> <td>a</td> <td>25±2</td> </tr> <tr> <td>b</td> <td>Lower temperature±3°C</td> </tr> <tr> <td>c</td> <td>25±2</td> </tr> <tr> <td>d</td> <td>Upper Temperature±2°C</td> </tr> <tr> <td>e</td> <td>25±2</td> </tr> </tbody> </table> <p>(1) Class I</p> <p>Temperature Coefficient shall be calculated from the formula as below</p> $\text{Temp. Coefficient} = \frac{C2 - C1}{C1 \times \Delta T} \times 10^6 \text{ [ppm/°C]}$ <p>C1: Capacitance at step c                      C2: Capacitance at 125°C                      ΔT: 100°C(=125°C-25°C)</p> <p>(2) Class II</p> <p>Capacitance Change shall be calculated from the formula as below</p> $\Delta C = \frac{C2 - C1}{C1} \times 100\%$ <p>C1: Capacitance at step c                      C2: Capacitance at step b or d</p>	Step	Temperature(°C)	a	25±2	b	Lower temperature±3°C	c	25±2	d	Upper Temperature±2°C	e	25±2	<p>&lt;General purpose series&gt;</p> <p>Class I:                      Δ C/C: ±30ppm</p> <p>Class2:                      X7R: Δ C/C: ±15%                      Y5V: Δ C/C: 22~-82%</p> <p>&lt;High Capacitance series&gt;</p> <p>Class2:                      X7R/X5R: Δ C/C: ±15%                      Y5V: Δ C/C: 22~-82%</p>
Step	Temperature(°C)														
a	25±2														
b	Lower temperature±3°C														
c	25±2														
d	Upper Temperature±2°C														
e	25±2														
Adhesion	4.7	<p>A force applied for 10 seconds to the line joining the terminations and in a plane parallel to the substrate</p>	<p>Force</p> <p>size ≥ 0603: 5N                      size = 0402: 2.5N                      size = 0201: 1N</p>												
Bending Strength	IEC 60384-21/22 4.8	<p>Mounting in accordance with IEC 60384-22 paragraph 4.3</p> <p>Conditions: bending 1 mm at a rate of 1 mm/s, radius jig 340 mm</p>	<p>No visible damage</p> <p>&lt;General purpose series&gt;</p> <p>ΔC/C</p> <p>Class2:                      X5R: ±10%</p> <p>&lt;High Capacitance series&gt;</p> <p>ΔC/C</p> <p>Class2:                      X5R: ±10%</p>												

TEST	TEST METHOD	PROCEDURE	REQUIREMENTS
Resistance to Soldering Heat	4.9	<p>Precondition: 150 +0/-10 °C for 1 hour, then keep for 24 ±1 hours at room temperature</p> <p>Preheating: for size ≤ 1206: 120 °C to 150 °C for 1 minute</p> <p>Preheating: for size &gt;1206: 100 °C to 120 °C for 1 minute and 170 °C to 200 °C for 1 minute</p> <p>Solder bath temperature: 260 ±5 °C</p> <p>Dipping time: 10 ±0.5 seconds</p> <p>Recovery time: 24 ±2 hours</p>	<p>Dissolution of the end face plating shall not exceed 25% of the length of the edge concerned</p> <hr/> <p>&lt;General purpose series&gt;  <math>\Delta C/C</math>                      Class2:                      X5R: ±10%</p> <hr/> <p>&lt;High Capacitance series&gt;  <math>\Delta C/C</math>                      Class2:                      X5R: ±10%</p> <hr/> <p>D.F. within initial specified value  <math>R_{ins}</math> within initial specified value</p>
Solderability	4.10	<p>Preheated the temperature of 80 °C to 140 °C and maintained for 30 seconds to 60 seconds.</p> <p>1. Temperature: 235±5°C / Dipping time: 2 ±0.5 s</p> <p>2. Temperature: 245±5°C / Dipping time: 3 ±0.5 s (lead free)</p> <p>Depth of immersion: 10mm</p>	<p>The solder should cover over 95% of the critical area of each termination</p>
Rapid Change of Temperature	IEC 60384-21/22 4.11	<p>Preconditioning: 150 +0/-10 °C for 1 hour, then keep for 24 ±1 hours at room temperature</p> <p>5 cycles with following detail:                      30 minutes at lower category temperature                      30 minutes at upper category temperature</p> <p>Recovery time 24 ±2 hours</p>	<p>No visual damage</p> <hr/> <p>&lt;General purpose series&gt;  <math>\Delta C/C</math>                      Class2:                      X5R: ±15%</p> <hr/> <p>&lt;High Capacitance series&gt;  <math>\Delta C/C</math>                      Class2:                      X5R: ±15%</p> <hr/> <p>D.F. meet initial specified value  <math>R_{ins}</math> meet initial specified value</p>



TEST	TEST METHOD	PROCEDURE	REQUIREMENTS
Damp Heat with $U_r$ Load	4.13	<ol style="list-style-type: none"> <li>1. Preconditioning, class 2 only: 150 +0/-10 °C /1 hour, then keep for 24 ±1 hour at room temp</li> <li>2. Initial measure: Spec: refer to initial spec C, D, IR</li> <li>3. Damp heat test: 500 ±12 hours at 40 ±2 °C; 90 to 95% R.H. 1.0 <math>U_r</math> applied</li> <li>4. Recovery: Class 2: 24 ±2 hours</li> <li>5. Final measure: C, D, IR</li> </ol> <p>P.S. If the capacitance value is less than the minimum value permitted, then after the other measurements have been made the capacitor shall be preconditioned according to "IEC 60384 4.1" and then the requirements shall be met.</p>	<p>No visual damage after recovery</p> <hr/> <p>&lt;General purpose series&gt;  <math>\Delta C/C</math>                      Class2:                      X5R: ±15%                      D.F.                      Class2:                      X5R: ≤ 16V: ≤ 7%                                ≥ 25V: ≤ 5%  <math>R_{ins}</math>                      Class2:                      X5R: ≥ 500 MΩ or <math>R_{ins} \times C_r \geq 25s</math>                      whichever is less</p> <p>&lt;High Capacitance series&gt;  <math>\Delta C/C</math>                      Class2:                      X5R: ±20%                      D.F.                      Class2:                      X5R: 2 x initial value max  <math>R_{ins}</math>                      Class2:  <math>R_{ins} \times C_r \geq 5s</math>                      whichever is less</p>

TEST	TEST METHOD	PROCEDURE	REQUIREMENTS
Endurance	IEC 60384- 21/22 4.14	<p>1. Preconditioning, class 2 only: 150 +0/-10 °C /1 hour, then keep for 24 ±1 hour at room temp</p> <p>2. Initial measure: Spec: refer to initial spec C, D, IR</p> <p>3. Endurance test: Temperature: X5R: 85 °C Specified stress voltage applied for 1,000 hours: Applied 2.0 × Ur for general product. Applied 1.5 × Ur for high cap. product. Applied 1.0 × Ur for high cap. product. 0201: 100nF/25V, 220nF/10V, 1uF/6.3V; 0402: 4.7uF/10V, 6.3V, 10uF/4V, 6.3V; 0603: 10uF/ 10V, 22uF/6.3V, 10V 1206: 10uF/ 50V</p> <p>4. Recovery time: 24 ±2 hours</p> <p>5. Final measure: C, D, IR</p> <p>P.S. If the capacitance value is less than the minimum value permitted, then after the other measurements have been made the capacitor shall be preconditioned according to "IEC 60384 4.1" and then the requirements shall be met.</p>	<p>No visual damage</p> <hr/> <p>&lt;General purpose series&gt; ΔC/C Class2: X5R: ±15% D.F. Class2: X5R: ≤ 16V: ≤ 7% ≥ 25V: ≤ 5% R<sub>ins</sub> Class2: X5R: ≥ 1,000 MΩ or R<sub>ins</sub> × C<sub>r</sub> ≥ 50s whichever is less</p> <p>&lt;High Capacitance series&gt; ΔC/C Class 2: X5R: ±20% D.F. Class 2: X5R: 2 × initial value max R<sub>ins</sub> Class 2: R<sub>ins</sub> × C<sub>r</sub> ≥ 10s whichever is less</p>
Voltage Proof		<p>Specified stress voltage applied for 1 min</p> <p>Ur ≤ 50 V: series applied 2.5 Ur</p> <p>Charge/Discharge current less than 7.5mA</p>	No breakdown or flashover

**REVISION HISTORY**

REVISION	DATE	CHANGE NOTIFICATION	DESCRIPTION
Version 19	Apr. 09, 2015	-	- Voltage updated
Version 18	Jul. 07, 2014	-	- Voltage updated
Version 17	Mar. 31, 2014	-	- Test condition updated
Version 16	Nov. 29, 2012	-	- Test condition updated
Version 15	Sep. 03, 2012	-	- Test condition updated
Version 14	May 16, 2012	-	- Product range updated
Version 13	May 02, 2012	-	- Product range updated
Version 12	Feb 10, 2012	-	- Product range updated
Version 11	Oct 21, 2011	-	- Product range updated
Version 10	Jun 21, 2011	-	- Product range updated
Version 9	Mar 23, 2011	-	- Product range updated
Version 8	Jan 25, 2011	-	- Rated voltage of 0201 extend to 50V
Version 7	Jan 05, 2011	-	- Product range updated
Version 6	Jul 27, 2010	-	- Dimension on 0603 and 1206 case size updated
Version 5	Apr 21, 2010	-	- The statement of "Halogen free" on the cover added - Dimension updated
Version 4	Jan 13, 2010	-	- Thickness updated
Version 3	Aug 17, 2009	-	- Dimension updated
Version 2	Jun 09, 2009	-	- Ordering code updated
Version 1	May 15, 2009	-	- Product range updated
Version 0	Apr 15, 2009	-	- New datasheet for general purpose and high capacitance X5R series with RoHS compliant - Replace the "6.3V to 50V" part of pdf files: UP-X5R_X7R_HighCaps_6.3-to-25V_11, UY-X5R_X7R_HighCaps_6.3-to-25V_11 - Combine 0201 from pdf files: UP-NP0X5RX7RY5V_0201_6.3-to-50V_2 and UY-NP0X5RX7RY5V_0201_6.3-to-50V_2 - Define global part number - Description of "Halogen free compliant" added - Test method and procedure updated