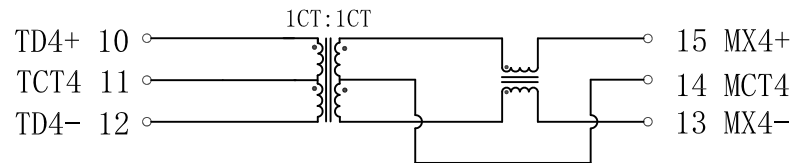
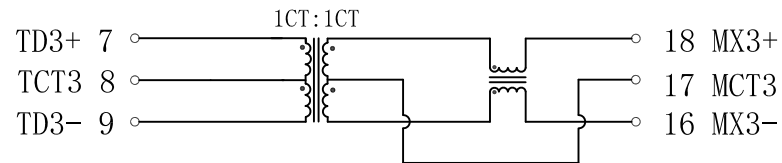
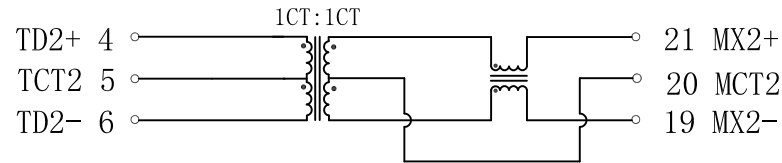
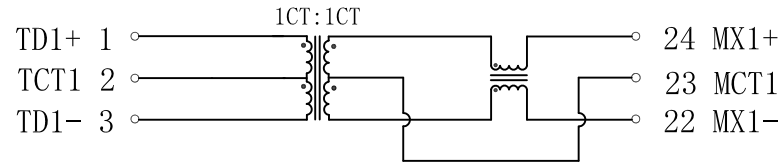


# Schematic:

REV.	ECN NO.	DESCRIPTION	DATE	APPD
A	REL		2010/10/21	



## Electrical Specifications @25°C

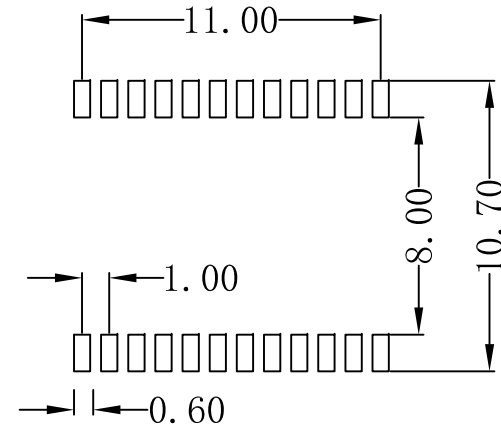
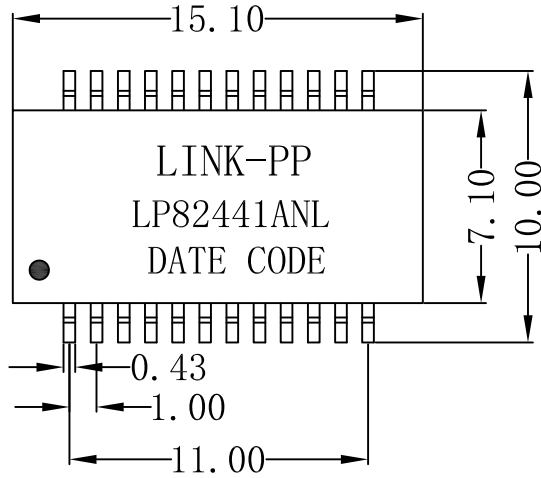
- Turn Ratio(TX/RX):  
Pri:Sec=1CT:1CT  $\pm 5\%$
- Inductance OCL:  
350uH Min, 100KHz/0.1V 8mA DC BLAS
- Insertion Loss:  
1-65MHz:-1.0dB Max  
65-100MHz:-1.1dB Max  
100-125MHz:-1.5dB Max
- Return Loss:  
1-40MHz:-18dB Min  
60MHz:-15dB Min  
80MHz:-12dB Min  
100MHz:-10dB Min
- Crosstalk:  
1-40MHz:-40dB Min  
60MHz:-35dB Min  
100MHz:-30dB Min
- DCMR:  
1MHz:-60dB Min  
30MHz:-40dB Min  
50MHz:-35dB Min  
100MHz:-30dB Min
- Isolation Voltage: 1500Vrms
- Operating Temperature:  $-40^{\circ}\text{C} \sim +85^{\circ}\text{C}$ .



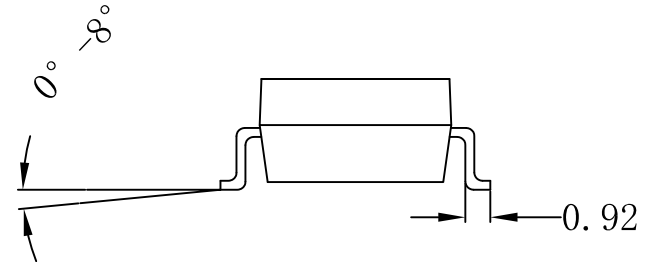
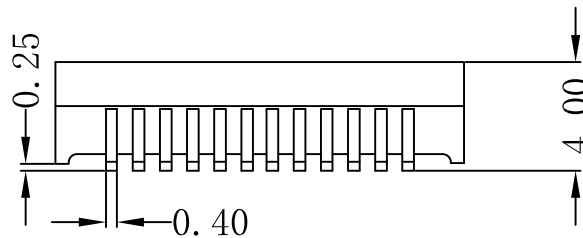
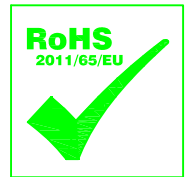
X:X	APPD:	LINK-PP INT'L TECHNOLOGY CO., LIMITED		
X:XX $\pm 0.25$	CHKD:	TITLE: 1000Base-T Magnetics Modules for PoE Application		
X:XXX	DR: TOM			
ANGLES $\pm 1^{\circ}$	UNIT: mm	PART NO.: LP82441ANL		
	SCALE: 2/1	SHEET: 1/2	REV: A	DWG NO.: LP10102116

Mechanical:

REV.	ECN NO.	DESCRIPTION	DATE	APPD
A	REL		2010/10/21	



SUGGESTED PAD LAYOUT



NOTES

1. Designed For Gigabit Transceivers
2. Peak Reflow Temperature Rating 250°C
3. Magnetics, Designed For Gigabit PHY Used In Backplane.
4. Compliant With IEEE 802.3af Standard.
5. Meet IEEE802.3af with 350mA current capability.
6. UL Certification: File Number E484635.

X:X	APPD:	LINK-PP INT'L TECHNOLOGY CO., LIMITED		
X:XX ±0.25	CHKD:	TITLE: 1000Base-T Magnetics Modules for PoE Application		
X:XXX	DR: TOM	PART NO.: LP82441ANL		
ANGLES ±1°	UNIT: mm			
	SCALE: 2/1	SHEET: 2/2	REV: A	DWG NO.: LP10102116