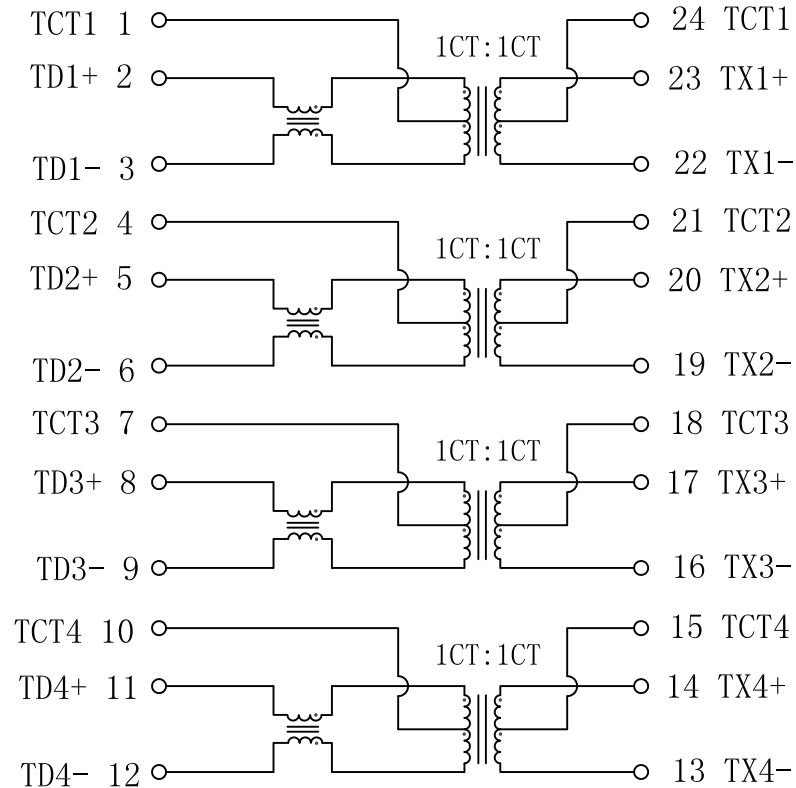


Schematic:

| REV. | ECN NO. | DESCRIPTION | DATE | APPD |
|------|---------|-------------|------------|------|
| A | REL | | 2013/12/03 | |



Electrical Specifications @25°C

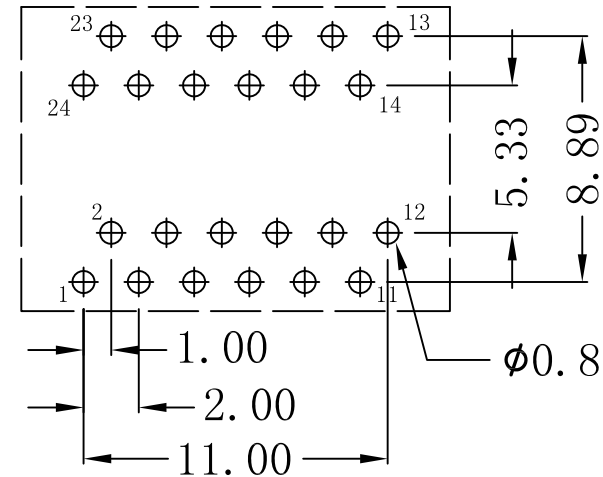
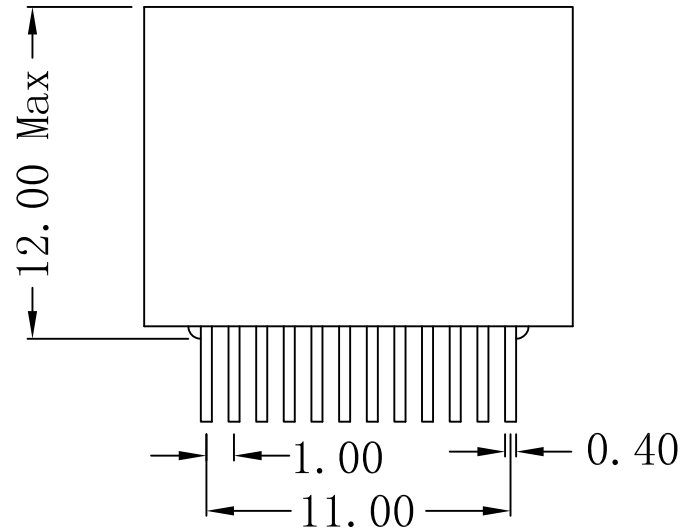
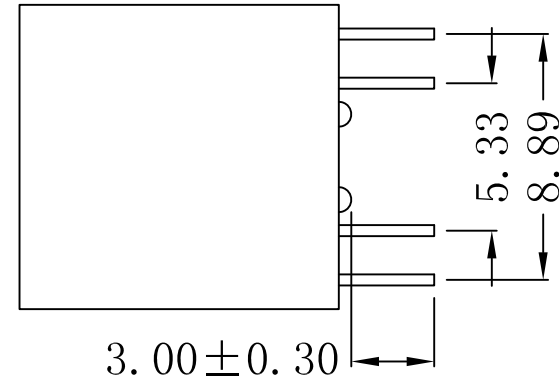
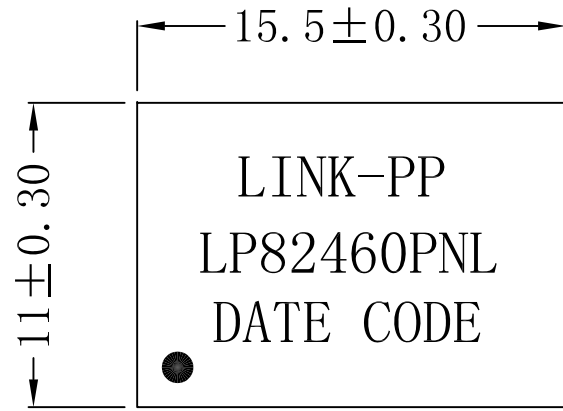
- Turns Ratio ($\pm 5\%$): 1CT : 1
- OCL: 350uH Min
@100KHz, 100mV, 8mA DC BIAS
- Insertion Loss:
1-100MHz: -1.1 dB MAX
- Return Loss (dB MIN):
30MHz: -18 60-80MHz: -12
100MHz: -10
- Crosstalk (dB MIN):
30MHz: -40 60MHz: -35
100MHz: -30
- Common Mode Rejection Ratio (dB MIN):
30MHz: -40 60MHz: -35
100MHz: -30
- Hipot: 1500Vrms
- Operating Temperature: 0°C ~ 70°C.



| | | | | |
|--------|---------------|------------|---------------------------------------|---------------------|
| X:X | ± 0.20 | APPD: | LINK-PP INT'L TECHNOLOGY CO., LIMITED | |
| X:XX | ± 0.10 | CHKD: | TITLE: 100/1000BASE-TX TRANSFORMER | |
| X:XXX | ± 0.05 | DR: TOM | PART NO.: LP82460PNL | |
| ANGLES | $\pm 1^\circ$ | UNIT: mm | | |
| | SCALE: 2/1 | SHEET: 1/2 | REV: A | DWG NO.: LP13120302 |

Mechanical:

| REV. | ECN NO. | DESCRIPTION | DATE | APPD |
|------|---------|-------------|------------|------|
| A | REL | | 2013/12/03 | |



NOTES:

1. 100/1000Base-Tx Transformer
2. For RoHS part add suffix NL.
3. RoHS "NL" peak solder rating $260^{\circ}\text{C} \pm 5^{\circ}\text{C}$.



| | | | |
|--------|-----------------|------------|---------------------------------------|
| X:X | ± 0.20 | APPD: | LINK-PP INT'L TECHNOLOGY CO., LIMITED |
| X:XX | ± 0.10 | CHKD: | |
| X:XXX | ± 0.05 | DR: TOM | TITLE: 100/1000BASE-TX TRANSFORMER |
| ANGLES | $\pm 1^{\circ}$ | UNIT: mm | PART NO.: LP82460PNL |
| | SCALE: 2/1 | SHEET: 2/2 | REV: A DWG NO.: LP13120302 |