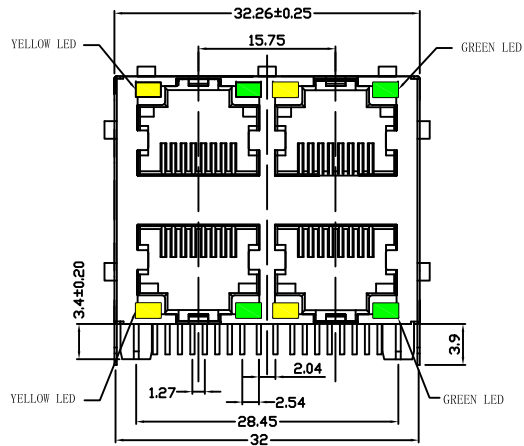


# Mechanical:

| REV. | ECN NO. | DESCRIPTION | DATE       | APPD |
|------|---------|-------------|------------|------|
| A    | REL     |             | 2011/12/16 |      |



### NOTES:

#### MACHANICAL:

- HOUSING MATERIAL : GLASS FILLED POLYESTER OR HIGH TEMP. UL94V-0.
- CONTACT MATERIAL : PHOSPHOR BRONZE  $t=0.35\text{mm}$ .
- PLATING : CONTACT AREA-SELECTIVE GOLD PLATING. TAILS-PLATED TIN OVER NICKEL.
- OPERATING LIFE : 750 CYCLES MIN
- PCB RETENTION PRE-SOLDER : 1 LB MIN
- PCB RETENTION POST-SOLDER : 10 LBS MIM
- LED SIZE : 3.2\*2.0\*4.0\*P=2.29mm

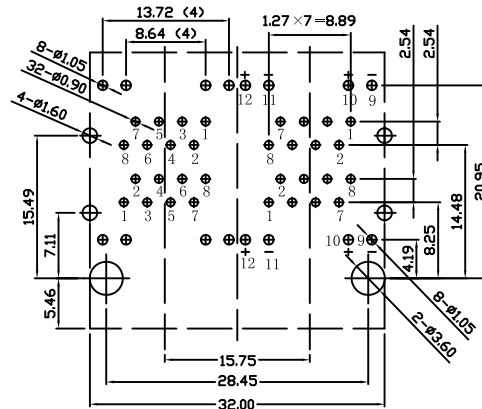
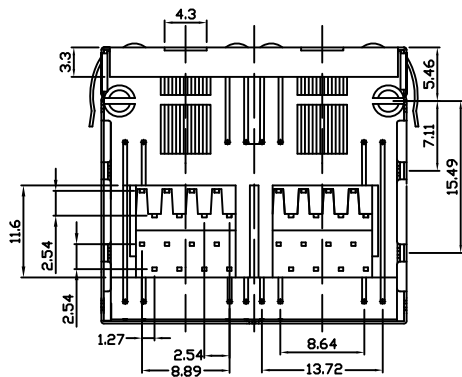
#### ELECTRICAL:

- VOLTAGE RATING : 125VAC RMS.
- CURRENT RATING : 1.5AMP.
- CONTACT RESISTANCE : 50 MILLIOHMS MAX.
- INSULATION RESISTANCE : 1000MEG OHMS MIN @ 500V DC.
- DIELECTRIC STRENGTH : 1000V AC RMS 60Hz. 1MIN.

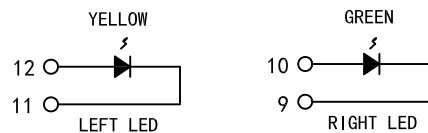
#### ENVIRONMENTAL:

- STORAGE :  $-40^{\circ}\text{C} \sim +85^{\circ}\text{C}$ .
- OPERATION :  $-40^{\circ}\text{C} \sim +85^{\circ}\text{C}$ .

MATES WITH MODULAR PLUG CONFORMING TO FCC PART 68, SUBPART F.



SUGGESTED PCB LAYOUT (TOP VIEW)



### LPJE107XAGNL

| Gold Plating | "X" |
|--------------|-----|
| 1.5U"        | 1   |
| 3U"          | 2   |
| 6U"          | 3   |
| 15U"         | 4   |
| 30U"         | 5   |
| 50U"         | 6   |



|             |            |   |
|-------------|------------|---|
| X:X ±0.30   | APPD:      | LINK-PP INT'L TECHNOLOGY CO., LIMITED     |
| X:XX ±0.25  | CHKD:      |   |
| X:XXX ±0.05 | DR: TOM    | TITLE:<br>SIDE ENTRY PCB JACK WITH SHIELD |
| ANGLES ±1°  | UNIT: mm   | PART NO.: LPJE107XAGNL                    |
|             | SCALE: 2/1 | SHEET: 1/1                                |
|             | REV: A     | DWG NO.: LP11121602                       |