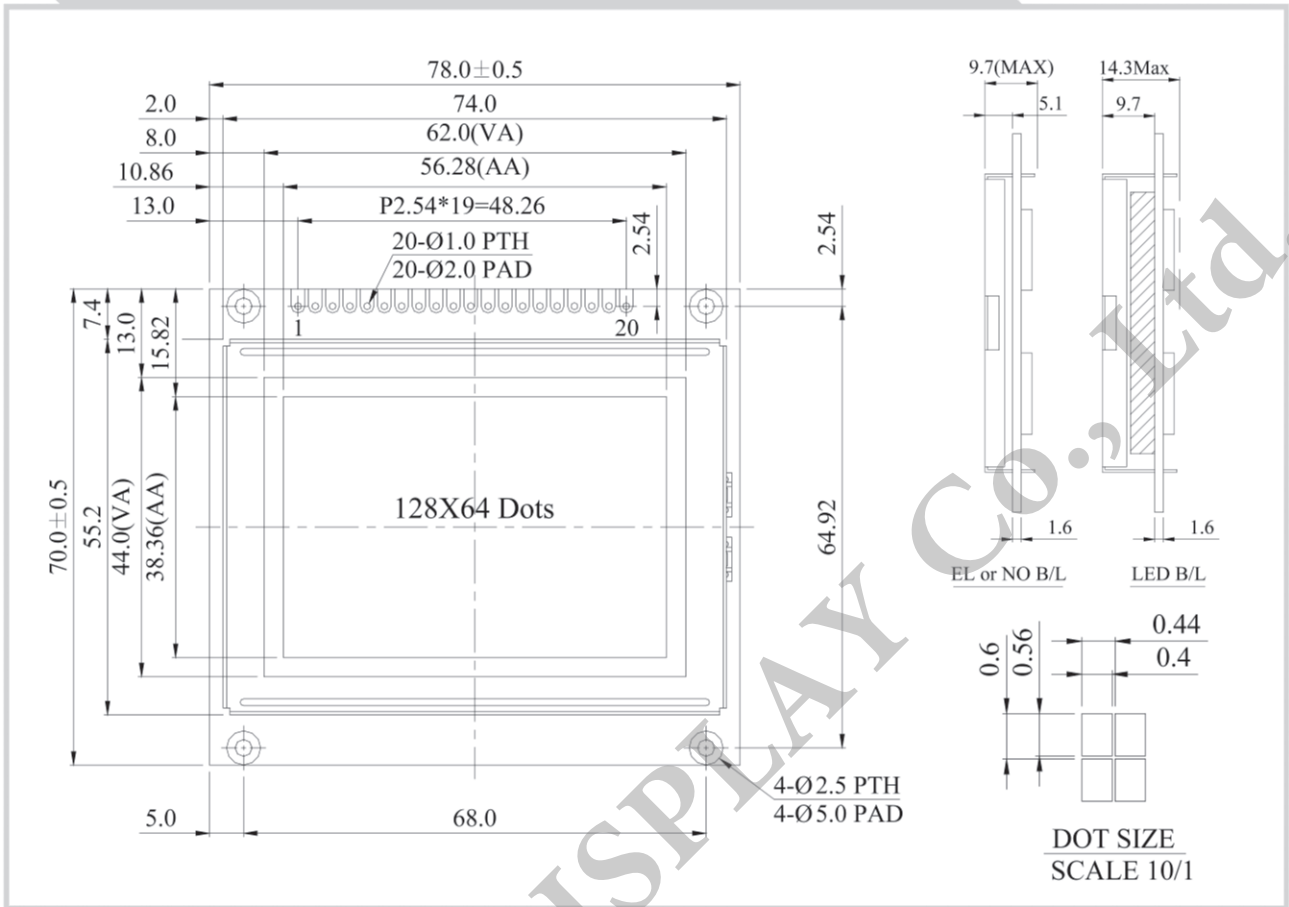


WG12864C Graphic 128x64 dots



Feature

1. Built-in controller (NT7108 or equivalent)
2. 5V power supply
3. 1/64 duty cycle
4. N.V. Built-in

Pin No.	Symbol	Description
1	/CS1	Select Column 1~ Column 64
2	/CS2	Select Column 65~ Column 128
3	V _{SS}	Ground
4	V _{DD}	Power supply for logic
5	V _O	Contrast Adjustment
6	D/I	Data/ Instruction select signal
7	R/W	Read/Write select signal
8	E	Enable signal
9	DB0	Data bus line
10	DB1	Data bus line
11	DB2	Data bus line
12	DB3	Data bus line
13	DB4	Data bus line
14	DB5	Data bus line
15	DB6	Data bus line
16	DB7	Data bus line
17	RST	Controller reset signal, Active Low
18	V _{EE}	Negative Voltage Output
19	A	Power supply for B/L +
20	K	Power supply for B/L -

Mechanical Data

Item	Standard Value	Unit
Module Dimension	78.0 x 70.0	mm
Viewing Area	62.0 x 44.0	mm
Mounting Hole	68.0 x 64.92	mm
Dot Pitch	0.44 x 0.60	mm
Dot Size	0.42 x 0.58	mm

Electrical Characteristics

Item	Symbol	Standard Value	Unit
		typ.	
Input Voltage	VDD	5.0	V
Recommended LCD Driving Voltage for Normal Temp. Version module @25°C	VDD-VO	8.50	V