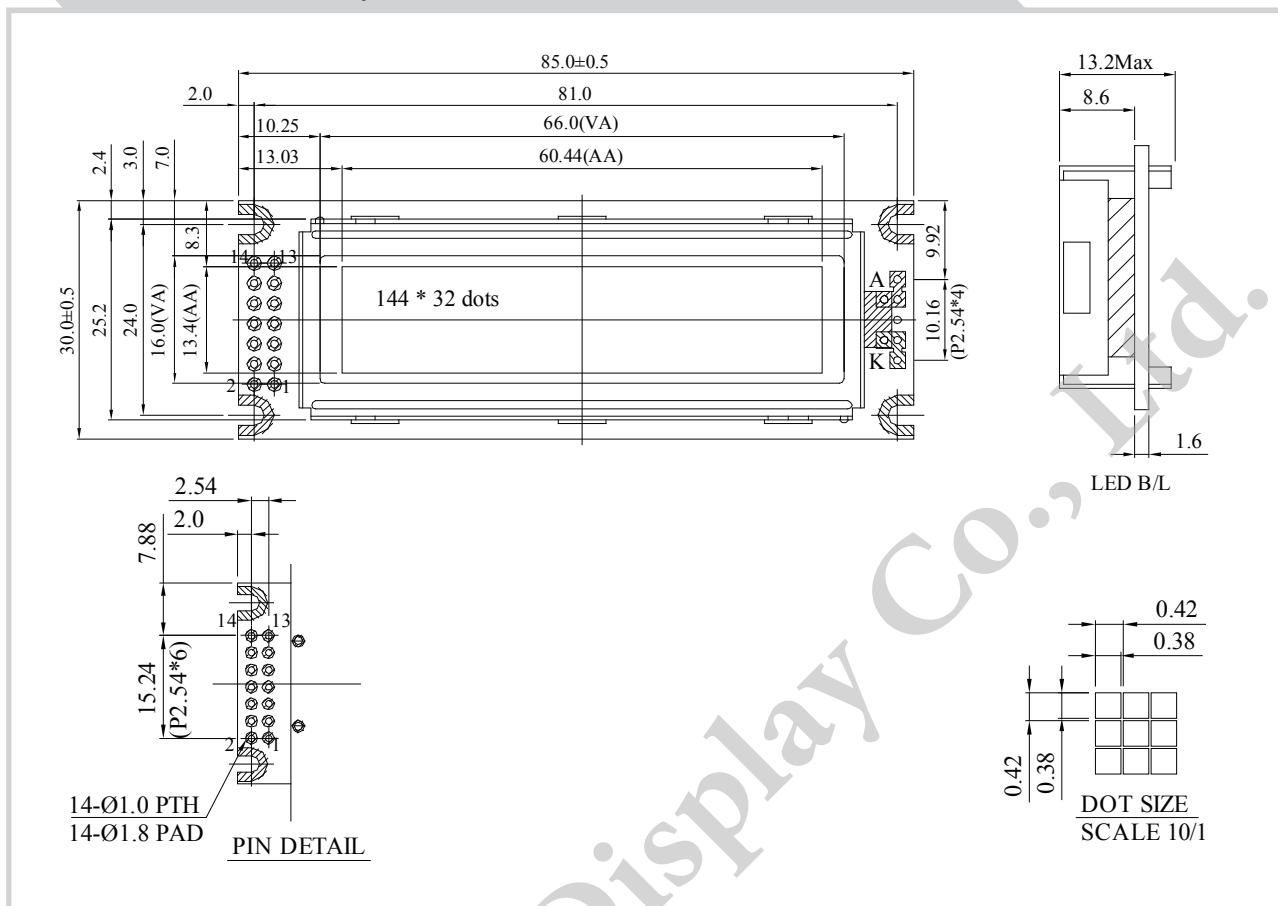


## WG14432D Graphic 144x32 dots



### Feature

1. Built-in controller ST7920
2. 1/32 duty cycle
3. 5V power supply
4. Internal boost option
5. Chinese version
6. Same size with WH1602D

Pin No.	Symbol	Description
1	V <sub>DD</sub>	Power supply for logic
2	V <sub>SS</sub>	Ground
3	V <sub>O</sub>	Contrast Adjustment
4	RS	Data/ Instruction select signal
5	R/W	Read/Write select signal
6	E	Enable signal
7	DB0	Data bus line
8	DB1	Data bus line
9	DB2	Data bus line
10	DB3	Data bus line
11	DB4	Data bus line
12	DB5	Data bus line
13	DB6	Data bus line
14	DB7	Data bus line

### Mechanical Data

Item	Standard Value	Unit
Module Dimension	85.0 x 30.0	mm
Viewing Area	66.0 x 16.0	mm
Mounting Hole	81.0 x 25.2	mm
Dot Pitch	0.42 x 0.42	mm
Dot Size	0.38 x 0.38	mm

### Electrical Characteristics

Item	Symbol	Standard Value	Unit
		typ.	
Input Voltage	V <sub>DD</sub>	3/5	V
Recommended LCD Driving Voltage for Normal Temp. Version module @25°C	V <sub>O</sub> -V <sub>SS</sub>	4.40	V